



RC Imaging

your radiology resource

Your radiology resource

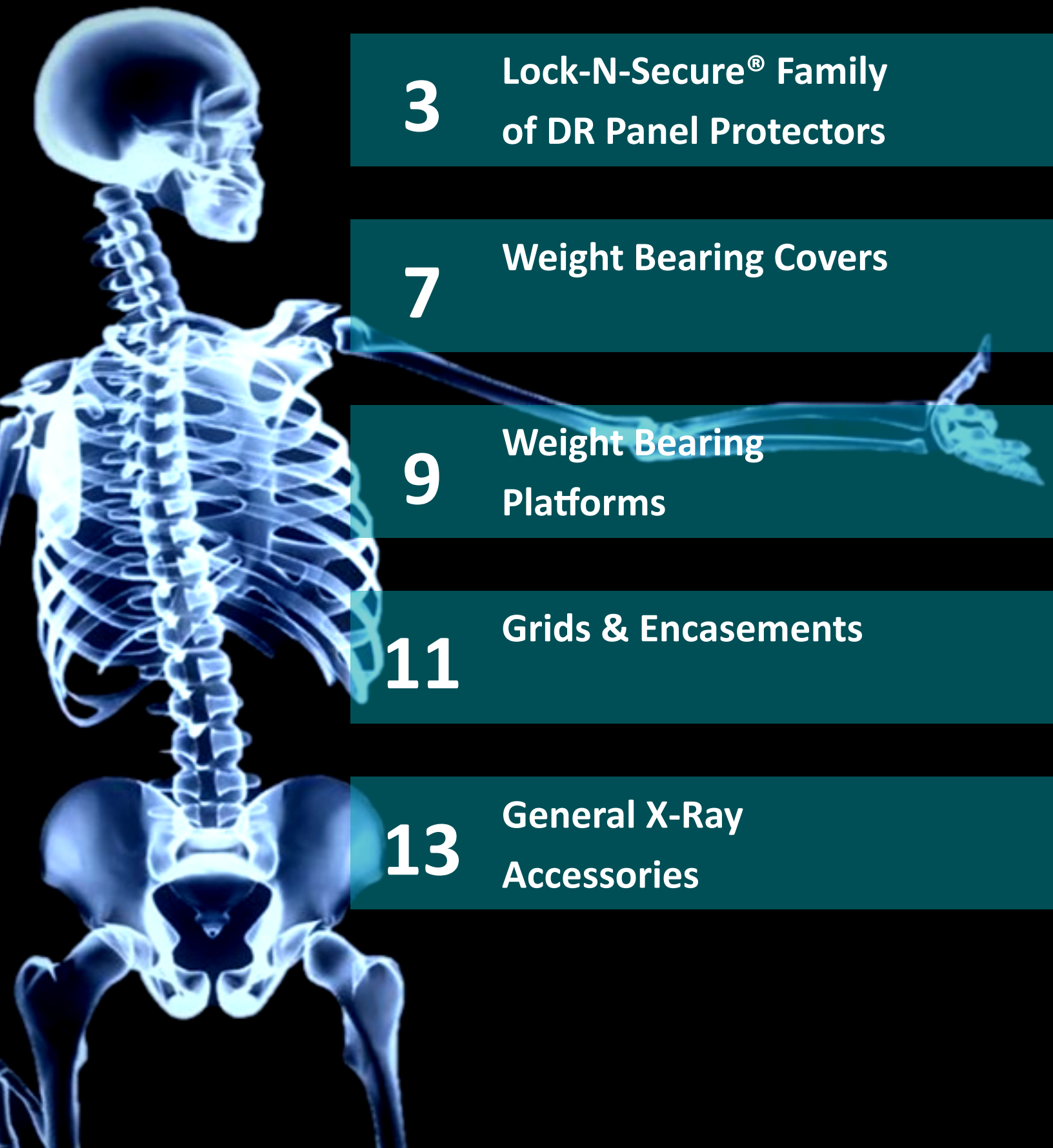
2021 Catalog

It is the policy at RC Imaging to provide products and services that consistently exceed both internal and external customer expectations.

Quality is everyone's business.

There are no exceptions.

Table of Contents



3

**Lock-N-Secure® Family
of DR Panel Protectors**

7

Weight Bearing Covers

9

**Weight Bearing
Platforms**

11

Grids & Encasements

13

**General X-Ray
Accessories**

Lock-N-Secure® Family of DR Panel Protectors

Using an expensive DR Flat Panel Protector in a mobile environment can be extremely risky. You can easily reduce the burden by protecting your investment with our Lock-N-Secure® and our innovative Lock-N-Secure® II DR Flat Panel Protectors containing multiple layers to absorb impact and increase weight capacity. Our DR Flat Panel Protectors are designed for all cassette sized detectors. **Lifetime Limited Warranty**, Excludes Grid.

Lock-N-Secure®

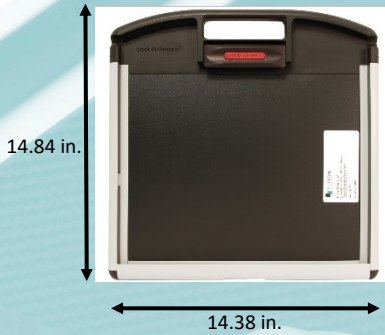
Lock-N-Secure® DR panel protectors are designed for portable x-ray or table top use in exam rooms to assist the radiographic technologist with positioning the detector and grid, while also protecting the capital assets. The modular construction of aeronautic grade Kydex frame, ABS handle, and Carbon Fiber tube side produce the industry's leading verified results. The patented easy to use positive lock latch keeps your expensive flat panel detector securely locked in position even under load. Included is the industry's only **Lifetime Limited Warranty** proving this solution is the **lowest total cost of ownership** versus any competing brand.

This product is not a weight bearing device, refer to our section of weight bearing products on pages 7-10 if one is required.



Lock-N-Secure® Family of DR Panel Protectors

Lock-N-Secure® - Additional Configurations & Features



10x12 in. Lock-N-Secure®
Long Dimension Handle

Item numbers:

*DR.LNS1012LD (grid separately)
weighs 1.72 lbs. plus grid*

*DR.LNS1012LDWD weighs 2.30
pounds*

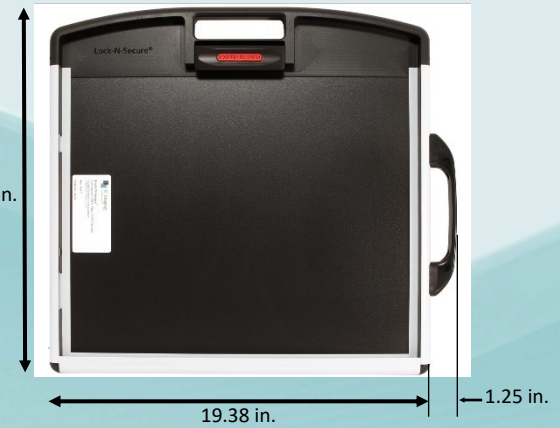


14x17 in. Lock-N-Secure®
Long Dimension Handle

Item numbers:

*DR.LNS1417LD (grid separately)
weighs 2.34 pounds plus grid*

*DR.LNS1417LDWD weighs 3.50
pounds*

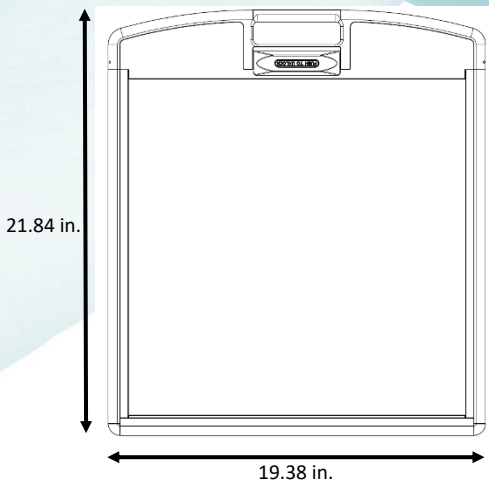


14x17 in. Lock-N-Secure®
Long Dimension Handle with
Additional Accessory Handle

Item numbers:

*DR.LNS1417LD2 (grid separately)
weighs 2.16 pounds plus grid*

*DR.LNS1417LD2WD weighs 3.30
pounds*



17x17 in. Lock-N-Secure®

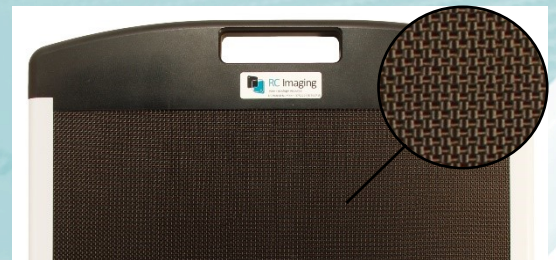
Item numbers:

*DR.LNS1717 (grid separately)
weighs 2.08 pounds plus grid*

*DR.LNS1717WD weighs 3.58
pounds*



*Patented, easy one-handed-
use positive lock latch for the
ultimate panel security*



*Carbon Fiber tube side forms a rigid,
lightweight solution while protecting
the image side from incidental damage*



*Custom openings for essential access to LEDs,
switches, antennae, and tether connections
when necessary*



Lock-N-Secure® Family of DR Panel Protectors

Lock-N-Secure® II

Lock-N-Secure® II DR panel protectors feature the same durable construction, industry leading latch security, and limited lifetime warranty as the original Lock-N-Secure® but in a smaller, more lightweight package. Designed specifically for a universal fit in all brands of portable x-ray storage bins, the reduced size and weight also benefits the Radiographic Technologist by minimizing fatigue.

This product is not a weight bearing device, refer to our section of weight bearing products on pages 7-10 if one is required.



Carbon Fiber tube side forms a rigid, lightweight solution while protecting the image side from incidental damage



14x17 in. Lock-N-Secure® II
Long Dimension Handle

Item numbers:

*DR.LNS21417LD (grid separately)
weighs 2.34 pounds plus grid*

*DR.LNS21417LDWD weighs 3.50
pounds*



*Patented, easy one-handed-use positive
lock latch for the ultimate panel security*

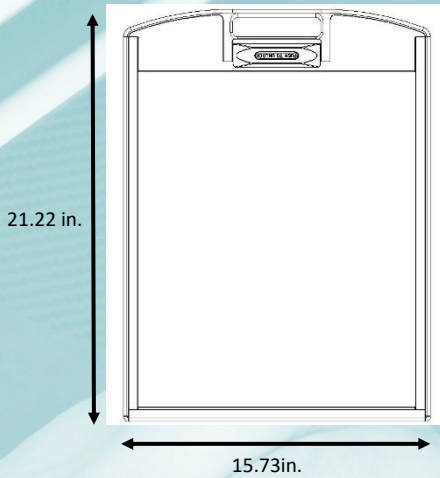


*Custom openings for essential access to LEDs, switches,
antennae, and tether connections when necessary*



Lock-N-Secure® Family of DR Panel Protectors

Lock-N-Secure® II - Additional Configurations

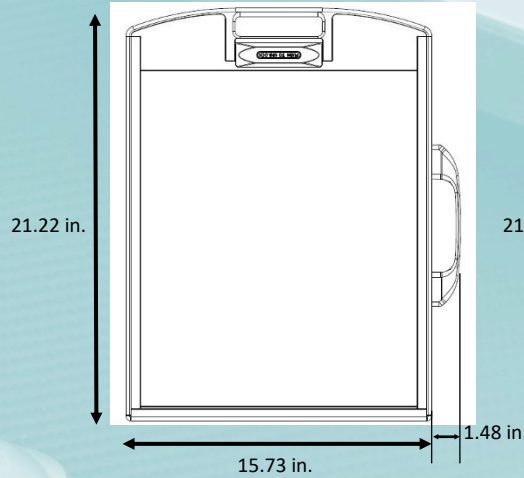


14x17 in. Lock-N-Secure® II
Short Dimension Handle

Item numbers:

*DR.LNS21417SD (grid separately)
weighs 2.02 pounds plus grid*

*DR.LNS21417SDWD weighs 3.16
pounds*

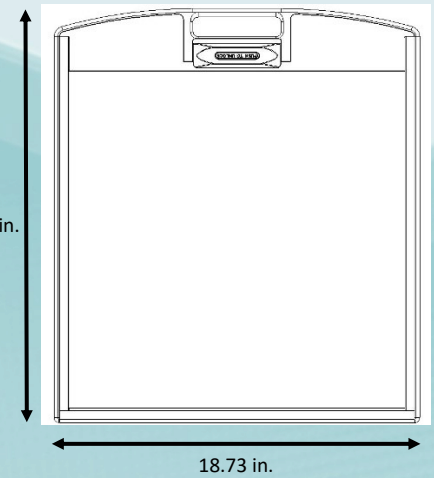


14x17 in. Lock-N-Secure® II
Short Dimension Handle with
Additional Accessory Handle

Item numbers:

*DR.LNS21417SD2 (grid separately)
weighs 2.16 pounds plus grid*

*DR.LNS21417SD2WD weighs 3.30
pounds*



17x17 in. Lock-N-Secure® II

Item numbers:

*DR.LNS21717 (grid separately)
weighs 2.08 pounds plus grid*

*DR.LNS21717WD weighs 3.58
pounds*

Custom fit for ALL Cassette-Size Flat Panel Detectors



Weight Bearing Covers

Our Weight Bearing Protective Cover has been designed to accommodate Digital DR Panels and CR Cassettes. Our covers are strong yet lightweight, offering the highest degree of protection during weight bearing procedures. Our latest cover is constructed of a high density polyethylene frame and a carbon fiber top, offering protection up to 1300 lbs. Our easy lift handle makes removal and carrying a breeze. The Weight Bearing Cover has been tested by an accredited independent laboratory.

Carbon Fiber Weight Bearing Cover

Weight bearing covers, commonly referred to as weight distribution caps, are used to perform various standing feet and ankle exams and prevent damage to the detector underneath. Our Carbon Fiber top has an industry leading 1300 pounds weight capacity. Featuring a printed target area, non-skid rubber feet, easy-lift handle, and limited lifetime warranty. Available in 14x17 in. and 17x17 in. and supports all cassette size wireless flat panels.

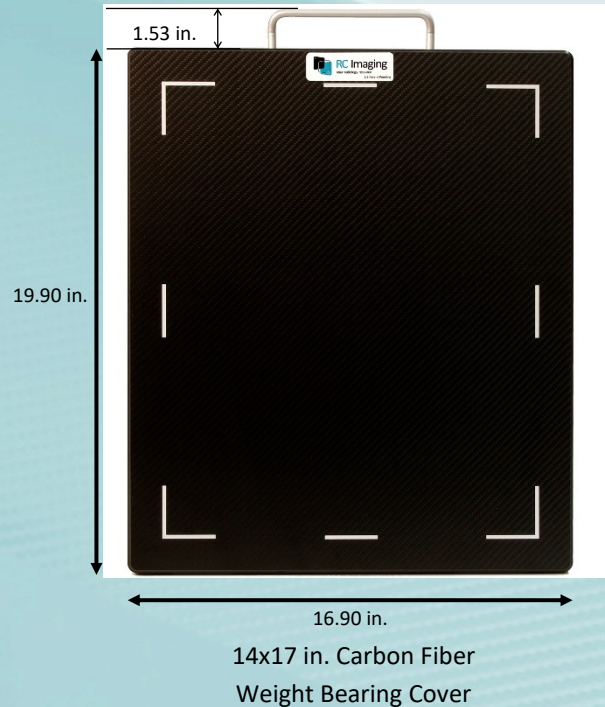


1.44 in.

14x17 Weight Capacity: 1300 lbs.
17x17 Weight Capacity: 433 lbs.



Item numbers:
Size 14x17: WB.C1417CF, weighs 5.9 lbs.
Size 17x17: WB.C1717CF, weighs 6 lbs.



14x17 in. Carbon Fiber
Weight Bearing Cover

Polycarbonate Weight Bearing Cover

The smoked Polycarbonate top features the same non-skid rubber feet, easy-lift handle, and limited lifetime warranty, but is more economically priced. Supporting over 425 pounds, this cover is available in 10x12 in. and 14x17 in. and supports all cassette size wireless flat panels.

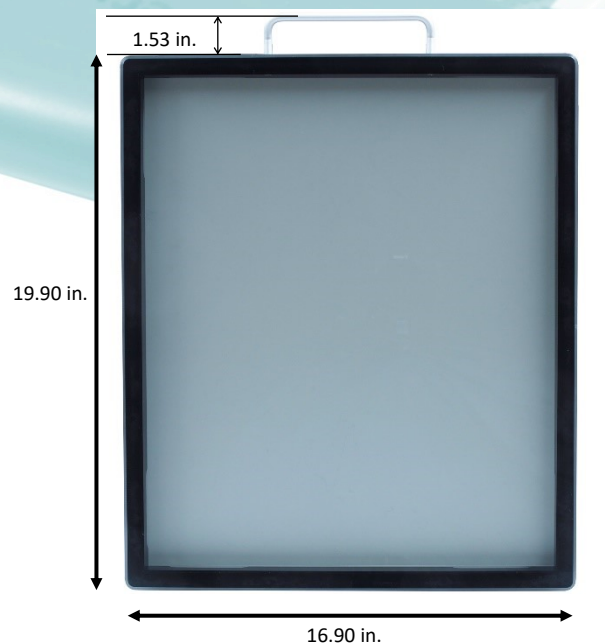


1.52 in.

Weight Capacity: 425 lbs.



Item Numbers:
Size 10x12: WB.C1012, weighs 4.3 lbs.
Size 14x17: WB.C1417, weighs 7 lbs.



14x17 in. Polycarbonate
Weight Bearing Cover



Weight Bearing Covers

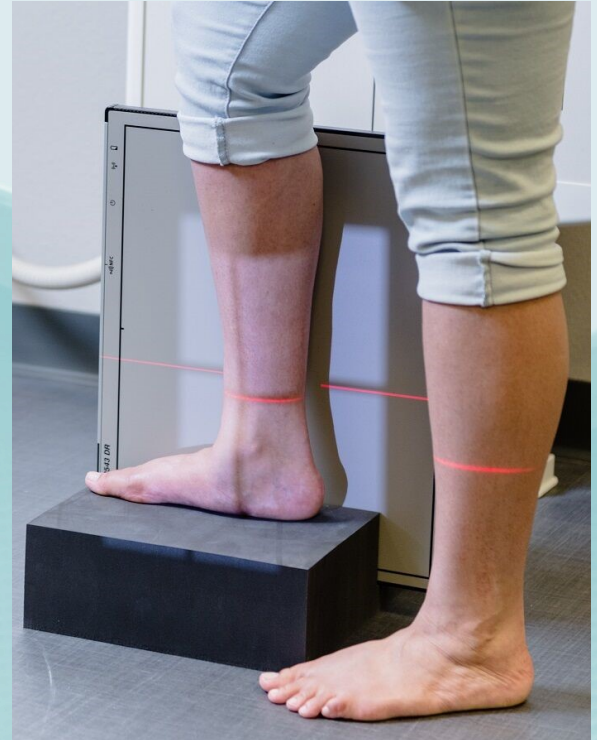
Weight Bearing Cassette/DR Panel Holder

High density crosslink closed cell foam provides durability, cleanability, and is an excellent positioning aide for weight bearing studies. Developed to facilitate imaging of longitudinal arch and lateral projection studies of feet and ankles.

Closed cell crosslink foam has a very fine micro-cellular structure that is characterized by a compact feel and is resistant to fluids. The smooth easy to clean surface is resistant to blood, Betadine, barium, alcohol, and other fluids., It is ozone resistant and impervious to mildew, mold, rot and bacteria. Non toxic and contains no CFC's, HCFC's, or hydrocarbon blowing agents. Anti-microbial: antibacterial and antifungal. Weight bearing up to 300lbs.



Item number:
A.WBCH



Weight Bearing Tunnel

Our Weight Bearing Tunnel is perfect for equine, zoo, and other large animal imaging when paired with one of our patented Lock-N-Secure® DR panel protectors. Distributed weight capacity ranging from 700 to over 2000 pounds featuring grab-n-go handle, target area for easy alignment, and non-skid rubber feet. Available for 24x30 cm, 10x12 in., and 14x17 in. wireless detectors.



10x12 Weight Capacity: 700 lbs.



14x17 Weight Capacity: 2000 lbs.



Item numbers:

Size 10x12: WB.T1012LD (Lock-N-Secure sold separate)

Size 14x17: WB.T1417LD (Lock-N-Secure sold separate)

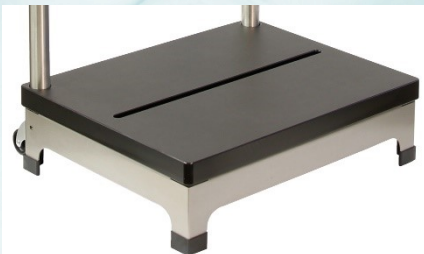


Weight Bearing Platforms

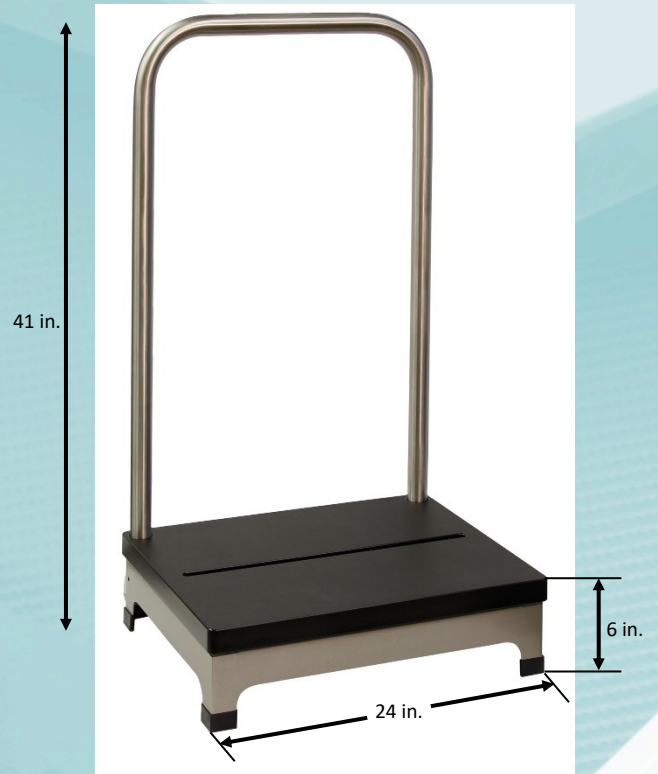
Our Weight Bearing Platforms are designed to accommodate digital DR Panels, CR and Analog Cassettes. These products are designed for easy mobility and stability while allowing for easy weight bearing imaging on the foot, ankle and knee. Our Weight Bearing Platforms are constructed of high density HDPE plastic and stainless steel.

Lateral View 1-Step Platform

Our 1-Step Weight Bearing Platform is designed to assist with positioning both the receptor and patient for weight bearing lateral exams on lower extremities. The smaller footprint and reduced weight makes mobility and storage in smaller spaces simple. Featuring a 6 inch rise, 750 pounds weigh capacity, stainless steel handrail, non-skid rubber feet, and a comfortable textured platform.



Weight: 45 lbs. **Item number:**
Capacity: 750 lbs. *A.1-Step*

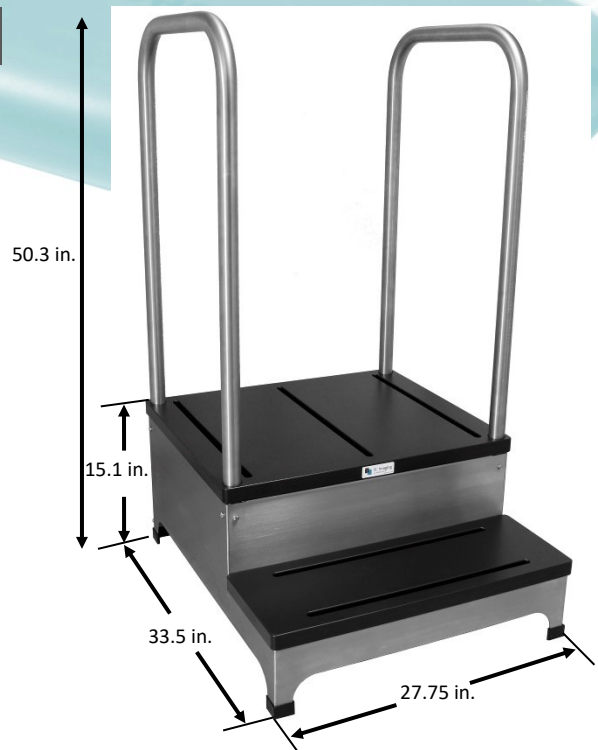


Lateral View 2-Step Platform

Our 2-Step Weight Bearing Platform adds multiple customizable detector slots for flexible positioning and is compatible with modern X-Ray rooms where tube height can reach 15 inches or below. This rugged solution features offset rear castors for easy relocation, 750 pounds weight capacity, and simple to sanitize surfaces.



Weight: 101 lbs. **Item Number:**
Capacity 750 lbs. *A.2-Step*



Weight Bearing Platforms

Complete View 2-Step Platform

Our Complete View 2-Step Weight Bearing Platform combines features of multiple devices into one, allowing for Lateral, AP, and other anatomical exams from a single patient standing position. Includes Lock-N-Secure® II protector at no additional cost for added detector security. Compatible with modern X-Ray rooms where tube height can reach 15 inches or below, the Complete View 2-Step is a valuable tool for any practice looking to add imaging capabilities.



Weight: 170 lbs.
Capacity: 750 lbs.

Item number:
A.2CompleteView



X-Arm Weight Bearing Platform

Our XARM™ Weight Bearing Platform is designed for compatibility with most U-Arm and Straight Arm systems and assists with positioning the patient for weight bearing lateral, AP, and other lower extremity exams. Featuring an intuitive quick release trip bar, clear top, welded steel frame, and effortless maneuverability due to its heavy-duty swivel casters. Supports over 500 pounds.



Weight: 152 lbs.
Capacity 500 lbs.

Item Number:
A.XArm



Grids & Encasements

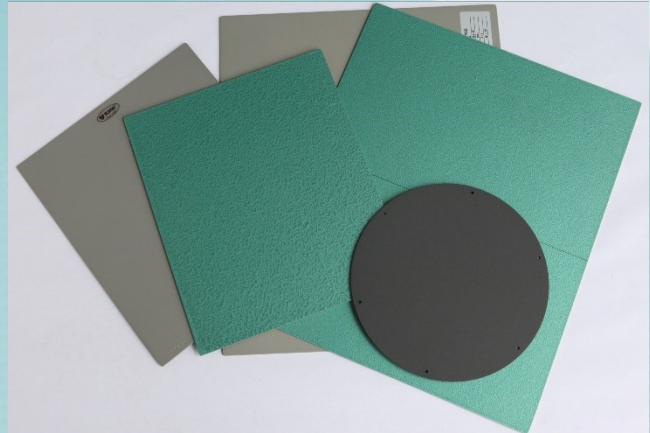
Superior construction of lead strips and with smooth, enameled aluminum cover, sealed against dirt and moisture. Grids may also be ordered with carbon fiber composite covers. For added protection of your valuable grids and convenience of handling and operation, grids can be installed in various forms of grid encasements.

X-Ray Grids

X-Ray grids provide clearer radiograph images by trapping scattered radiation, the biggest contributing factor to poor diagnostic quality. Introducing an x-ray grid between the x-ray beam and the detector will provide a clearer and more detailed image.

To obtain the most effective x-ray transmission and absorption, as well as grid density uniformity and precise geometric arrangement for strip focusing, the finest precision materials are used. Such as aluminum strips with purity of 99.99% and a thickness tolerance of $\pm 0.02\text{mm}$, and lead strips with a purity of 99.85% and a thickness tolerance of $\pm 0.001\text{mm}$.

Each grid strip is laminated and baked after the gluing procedure. This ensures absolute rigidity between the strips as well as heat and moisture resistance. This completely prevents warping and cracking over the course of time. Each grid is subject to radiographic testing prior to shipment, and only those grids which have passed the test for perfect strip alignment are delivered to our customers. The test film supplied with all our grids is your assurance of quality.



Size available*: 11x13", 15x18", 17^{1/4}x18^{7/8}" and 18x18". *Custom sizes available upon request*

LPI available*:** 103, 132, 178, 200, 215, 230

Ratio available*: 6:1, 8:1, 10:1, 12:1

Focal range available*: 34-44", 40-72", Parallel

**Subject to manufacturing lead time for uncommon configurations—please contact RC Imaging for inventory availability and item numbers*

***Available in linear or decubitus grid lines*

Grids & Encasements

Avoid future expense and encase your grid! Extend the life of your Grid by using one of our Grid Encasements built to your specifications. They are available in multiple sizes to meet your needs.

Grid Encasements

Grid Encasements provide protection against incidental bumps and distributed weight for your anti-scatter grids. They are commonly used for various tabletop exams and available in a variety of sizes, configurations, and installed with a grid of your choice.



Aluminum Drop-On
GEDA

Item Numbers:

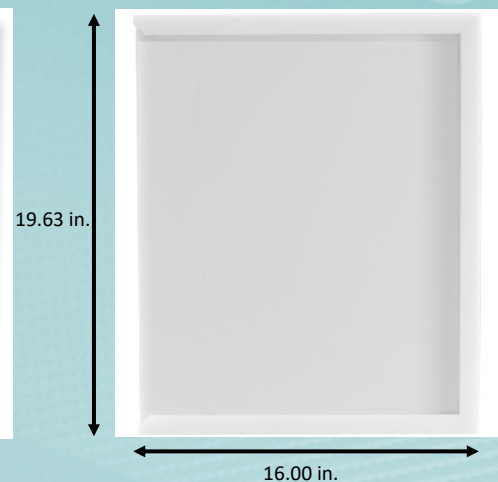
- Size 24x30: GEDA2430 (grid separately) weighs 1.3 lbs.
- Size 10x12: GEDA1012 (grid separately) weighs 1.3 lbs.
- Size 14x17: GEDA1417 (grid separately) weighs 2.3 lbs.



Aluminum with Channels
GECA

Item Numbers:

- Size 24x30: GECA2430 (grid separately) weighs 1.3 lbs.
- Size 10x12: GECA1012 (grid separately) weighs 1.3 lbs.
- Size 14x17: GECA1417 (grid separately) weighs 2.3 lbs.



Polycarbonate with Channels
GEC

Item Numbers:

- Size 10x12: GEC1012 (grid separately) weighs 2.8 lbs.
- Size 14x17: GEC1417 (grid separately) weighs 4.4 lbs.



General Accessories

Stop the spread of infection with disposable cassette and DR panel covers. Protect your employees from handling contaminated equipment and protect your cassettes and DR panels from damaging fluids.

Disposable Cassette/DR Panel Covers

Keep out fluids and stop the spread of contagions by using single-use disposable bags with each x-ray exam. Available in a variety of sizes, gauges, and closure options.



Flat-Fold Style



Zip-Close Style

Item numbers:

Size 18x24—2mil, 500 bags: A.BAGFLAT1824

Size 18x26—2mil, 500 bags: A.BAGFLAT1826J

Size 20x24—2mil, 250 bags: A.BAGFLAT20242

Size 23x29—2mil, 250 bags: A.BAGFLAT2329J

Size 24x24—2mil, 500 bags: A.BAGFLAT24242

Item numbers:

Size 12x15—2mil, 1000 bags: A.BAGZIP12152

Size 16x20—4mil, 500 bags: A.BAGZIP1619

Size 18x20—4mil, 500 bags: A.BAGZIP1820

Size 18x20—2mil, 500 bags: A.BAGZIP18202

Size 18x24—2mil, 500 bags: A.BAGZIP1824

Size 24x24—4mil, 250 bags: A.BAGZIP24244



CR & Analog Cleaning Products

Improve the image quality for all radiographs and maximize the life of your phosphor imaging plate or rare-earth screens.

Item numbers:

Agfa CR Plate Cleaner—4 bottles: CLEANER.EFJOH

Carestream Min-R Wipes—50 wipes: CLEANER.5280094

Carestream X-Omat Screen Cleaner—8 oz bottle: CLEANER.8607020

Clean Up's Phosphor Plate Wipes—50 wipes: D.70107

CR Clean Screen Kit—two 8 oz bottles + Lint Free Towels: CLEANER.KIT

MCI Screen Cleaner—16 oz bottle: CLEANER.06500

Cleaning tray for systems WITH autoloop, Blue: CLEANER.8002396

Cleaning tray for systems WITHOUT autoloop, Black: CLEANER.8002420

Roller cleaning plate WITH autoloop: CLEANER.8002412

Roller cleaning plate WITHOUT autoloop: CLEANER.8002438



General Accessories

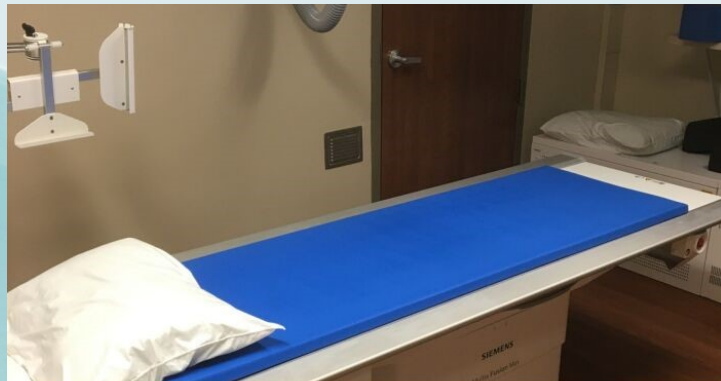
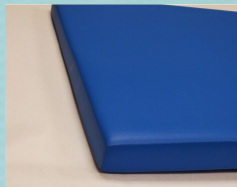
Full Coated Table Pad

Coated table pad provides exceptional comfort for patients with an easy to clean surface. These pads are manufactured using a high density polyurethane foam that is supportive and comfortable for the patient. The durable state-of-the-art medical grade coating contains active plasticizers so these pads will not dry out or crack over time.

Item numbers:

Size 24x72x1: A.CFPAD24

Size 30x80x1: A.CFPAD30



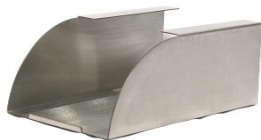
Grid & Glove Caddy

Constructed of stainless steel, the Grid Caddy provides safe storage for grids when not in use and decreases damage to grids due to improper handling during transport. The Grid Caddy easily attaches to one or both sides of the GE AMX4 and AMX4 portable x-ray units and holds grids up to 1 1/8 in. thick and 19 1/2 in. long.

The Glove Caddy provides convenient storage for a box of gloves. Inexpensive, functional, and easy to install with no drilling or modification to the portable machine. The original design allows for ease of box insertion, but prevents glove box from dislodging while the machine is in motion. The Glove Caddy fits both the AMX4 and AMX4 GE portable x-ray unit and can hold glove boxes up to 5 1/2"W x 3 1/2"H x 10"L.



Grid Caddy



Glove Caddy



Item numbers:

Grid Caddy: A.CADGC1

Glove Caddy: A.CADGBH1



"I recently met with executives from RC Imaging, based in Hilton, NY USA. We discussed Vieworks current market position and future focus, as well as RC Imaging's strengths as patent holder and manufacturer of DR panel protection solutions, truly **best in class** products and service."

Byungrae Cho

Medical Imaging Division,
R&D Center, Vieworks Co., Ltd.



"ROI Maximizer. **More protection,** less effort for our panel protection on Konica Minolta portable and mobile systems."

Guillermo Sander

Director of Digital Radiology Innovation
Konica Minolta Healthcare Americas



"**Innovative,** useful, customized to end-user, cutting edge solutions."

Ignacio Garcia

Technical Purchaser
Sedecal



"**Better constructed... better protection... also looks better.**"

Joe Panichello

Manager, Biomedical Services
Mobilex USA (TridentCare)



"**...The quality and ruggedness is unquestionably excellent.**"

Jim Davis

Diagnostic Imaging Engineer
Aramark Healthcare Technologies
(TRIMEDX)



"Protecting our detector solutions are crucial to ensure our clients can protect their diagnostic investment and have **confidence in performance** in the most demanding clinical environments.

We choose RC Imaging to **partner** with for these important product positioning devices to which our clients rely on due to their market expertise as well as creating innovative solutions technologists need."

Matt Chrisovergis

Operating Partner
RadmediX



"RC Imaging will always supply Patient & User-Friendly products which are pleasing to the eye but **durable at a competitive price.**"

Alan Windle

Purchasing & Consumables Administrator
MIS Healthcare

