

MAXIMIZE ANIMAL COMFORT WITH DYNAMIC RADIOGRAPHIC POSITIONING

myvet table i72w

Elevating Digital Radiographic Table

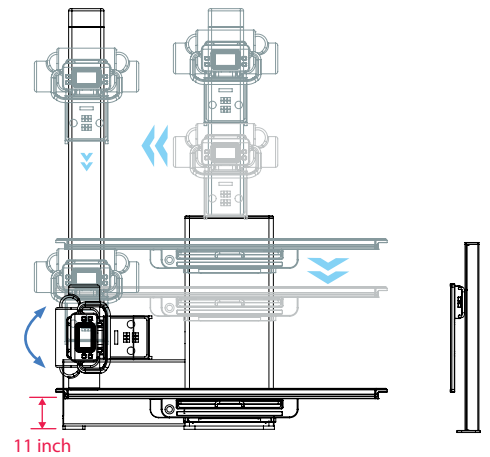


Elevating Table System

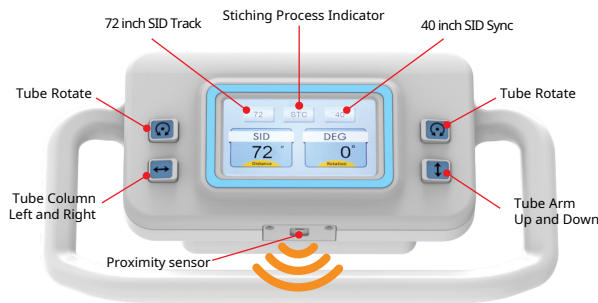
The i72w X-ray table is a revolutionary design that provides a 72 inch SID in the horizontal as well as vertical imaging plane. The X-ray table provides silent mechanical movements that help reduce animal stress during a typical study.

Features

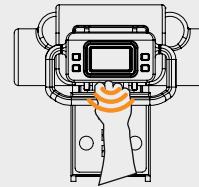
- Auto position to 40 and 72 inch
- Minimum table top height: 10.5 inch
- Rounded table corners
- Quiet motor movement
- Tube turns 90 degree (for upright imaging)
- Optical light switch tube head lock release
- Magnetic contact charging Bucky
- Easy foot switch operation



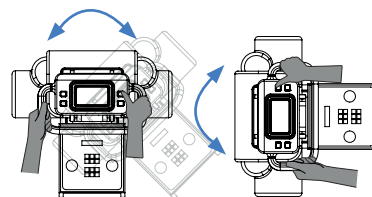
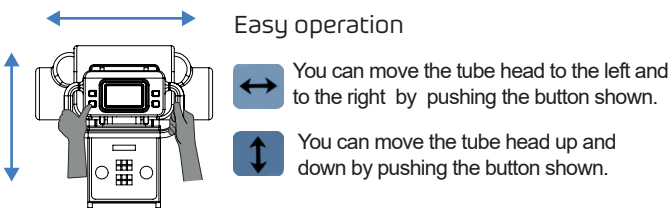
Intuitive Operation Panel



Proximity sensor



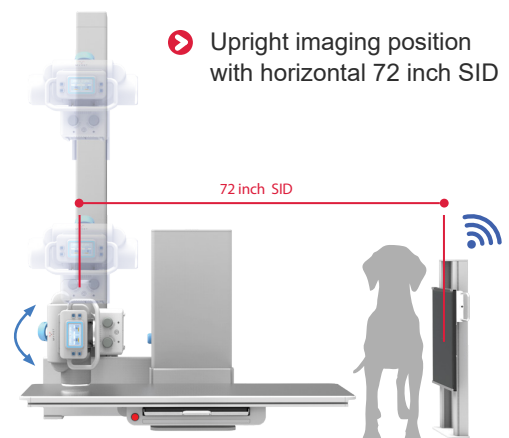
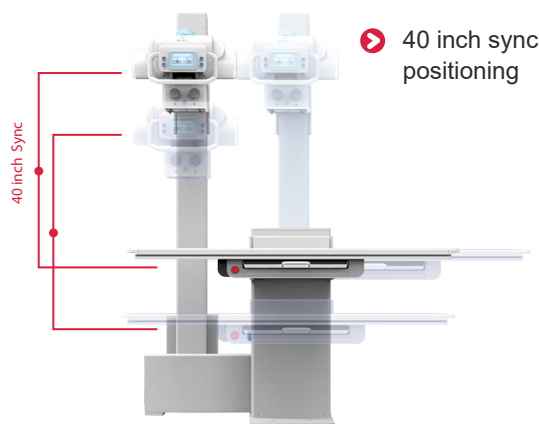
Locate the infrared proximity sensor by placing your hand on the handle under the sensor. When you do, the system unlocks allowing you to move the tube head horizontally and vertically.



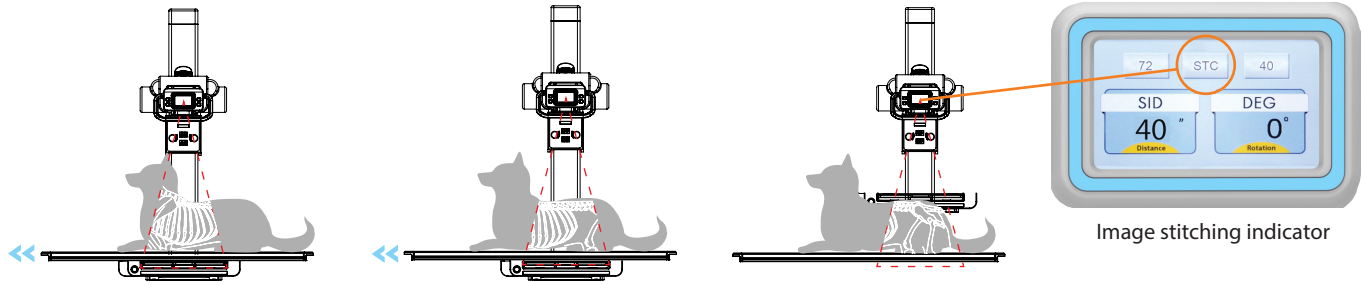
Upright imaging

Tube turns 90 degrees to enable upright imaging

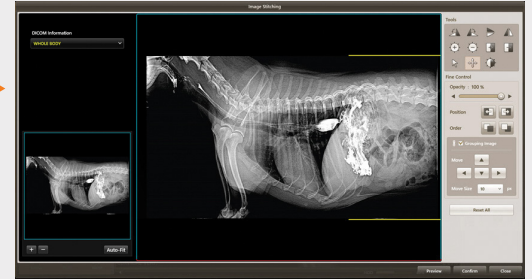
Dynamic table positioning and synchronizing



Stitching Software Provides Automatic Table Movement



With our stitching software, up to three images can be stitched together. Automatic table movement makes images easy to obtain.



17"x17" CsI Wireless Flat Panel Detector with 1.3Gbps Wireless Transfer



Features

- Data speed : up to Wi-Fi 1.3 Gbps (802.11a/g/n/ac)
- Image quality : 127 μ m, Cesium-Iodide
- Design : Lightweight carbon-fiber design, shock and water resistant (IPX6)
- Magnetic Battery Charger
- Image Storage: 200 Images

Specification

Detection Area	17 x 17 inch	Pixel Pitch	127 μ m
Sensor Type	Amorphous Silicon with TFT	Resolution	Max. 3.9 lp/mm
Scintillator	Cesium	Battery Operation time	Typ. 4hr.
Pixel Matrix	3268 x 3268	Weight	7.7 lbs (Battery included)

* Specifications subject to change without prior notice *



Magnetic contact charging Bucky

myvet i72w veterinary x-ray table is designed to improve workflow in small animal veterinary practices.

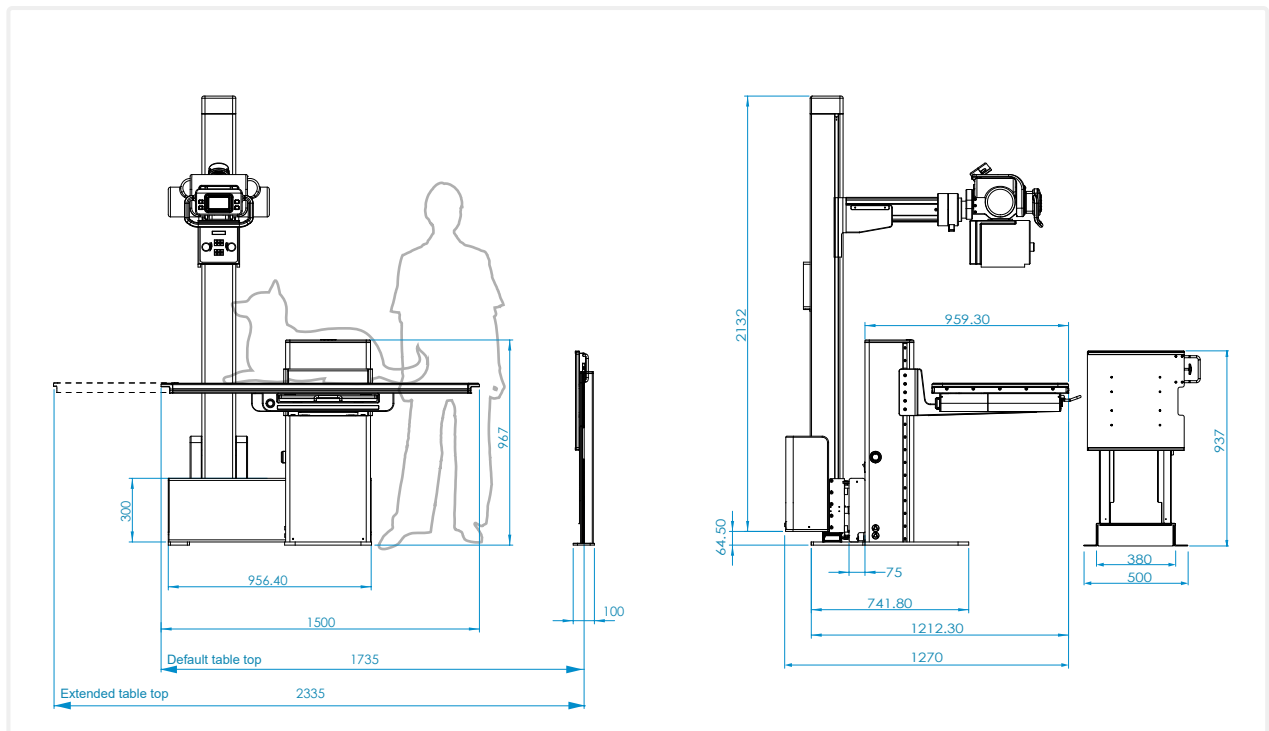
Specification

- Generator : 32kW 400mA
- X-ray tube : 200 KHU 0.6-1.5mm Focal Spot
- 17"x17" Wireless DR flat panel detector
- SID (in) : 40 to 72 inch
- Stand (ft) : 6.8 ft
- Table (m) : 1.5 x 0.64 (59.10 x 25.20 inch)

- Power : 32kW 400mA
280/230 VAC Single Phase

Optional equipment is available

- Generator : 40kW 500mA output
- Panel : 17x17 inch tethered flat panel detector (i72T)



Unit : mm

* Specifications subject to change without notice *

i72w



 myvet imaging™

81 Ruckman Rd. Closter NJ 07624
Tel: 888.854.5848 Support: 201.585.0302
information@myvetimaging.com www.myvetimaging.com